

SANTA FE COUNTY –ARROYO JACONA BANK STABILIZATION PROJECT

Location: Off Santa Fe County Road 101-B. Go north of Santa Fe on US 285. Turn west on HWY 502 for approximately 1.4 miles, then take a right turn (north) on Dry Creek Road. That road quickly splits – go to the left. See Google map.

Approximate Date of Construction: June 2011

Number of bales / tires used: Approximately 590 bales

Design information: There are two tire bale structures. Each tire bale structure was reinforced with gabion baskets at the ends of the structures. After the structure was completed, concrete was placed over the tire bales and the gabion baskets. The structure will be painted with a sand color to blend in with the sand. Plans attached.

Cost: Construction cost \$105,000.

Other information: NMED Recycling and Illegal Dumping Fund grant paid for construction.

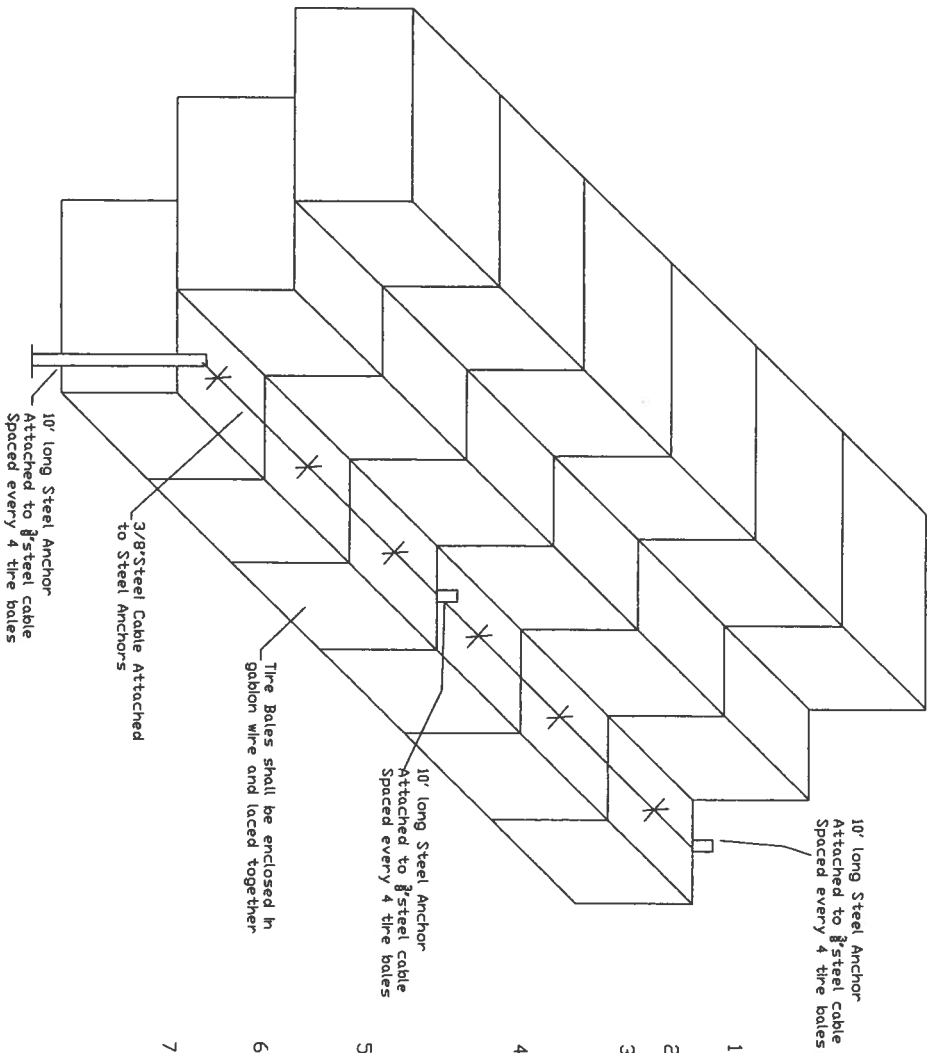
Photos attached



06/07/2011



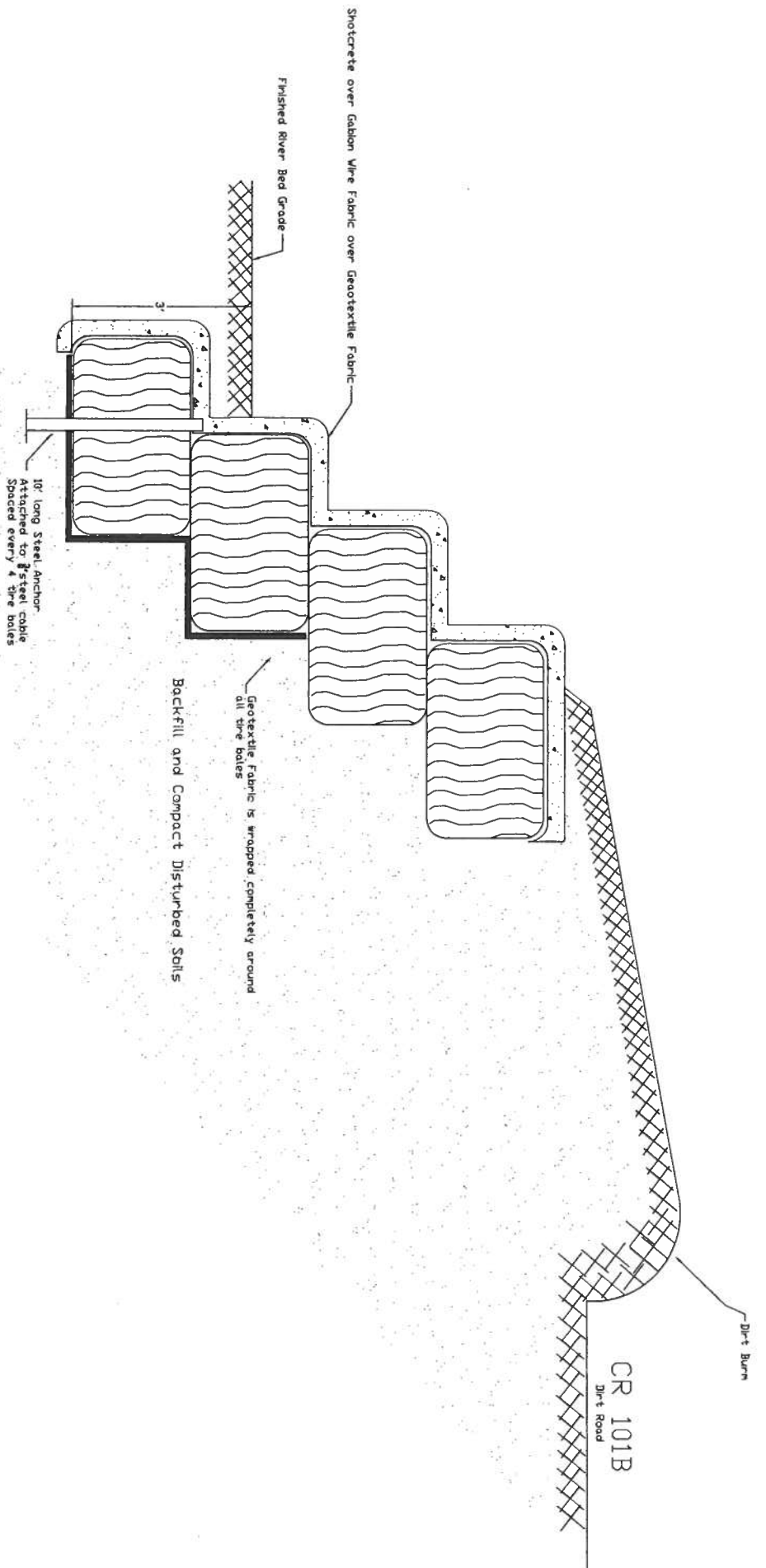
06/07/2011



Typical Section for Tire Bales Covered with Shotcrete
 (For Clarity the tires and the wire mesh are not shown)

General Notes

1. The bottom row shall be secured with 3/8" steel cable and steel anchors.
2. Tire Bales are 2.5' x 4.5' x 5'
3. Steel anchor can be railroad rails not weighing less than 10lbs/ft, 4" O.D. Standard Strength Galvanized Steel Pipe, or 4"x4"x3/8" steel angles.
4. The 10' long steel stakes shall be partially driven in to the ground the 3/8" steel cable will then be fastened to the steel stakes and cable will be tightened. The stakes shall then be driven the rest of the way into the ground until the cables secure the tire bale groups into place.
5. The tires bales shall be enclosed in double twisted and non raveling mesh forming hexagons and laced together with wire not less than .087 in diameter. Tire bales shall be wrapped with geotextile fabric.
6. U bolt cable clamps shall be used to secure the 3/8" steel cable. U bolt cable clamps shall be Crosby Forged Steel Clips or equal.
7. Shotcrete will have a minimum compressive strength of 3000psi.

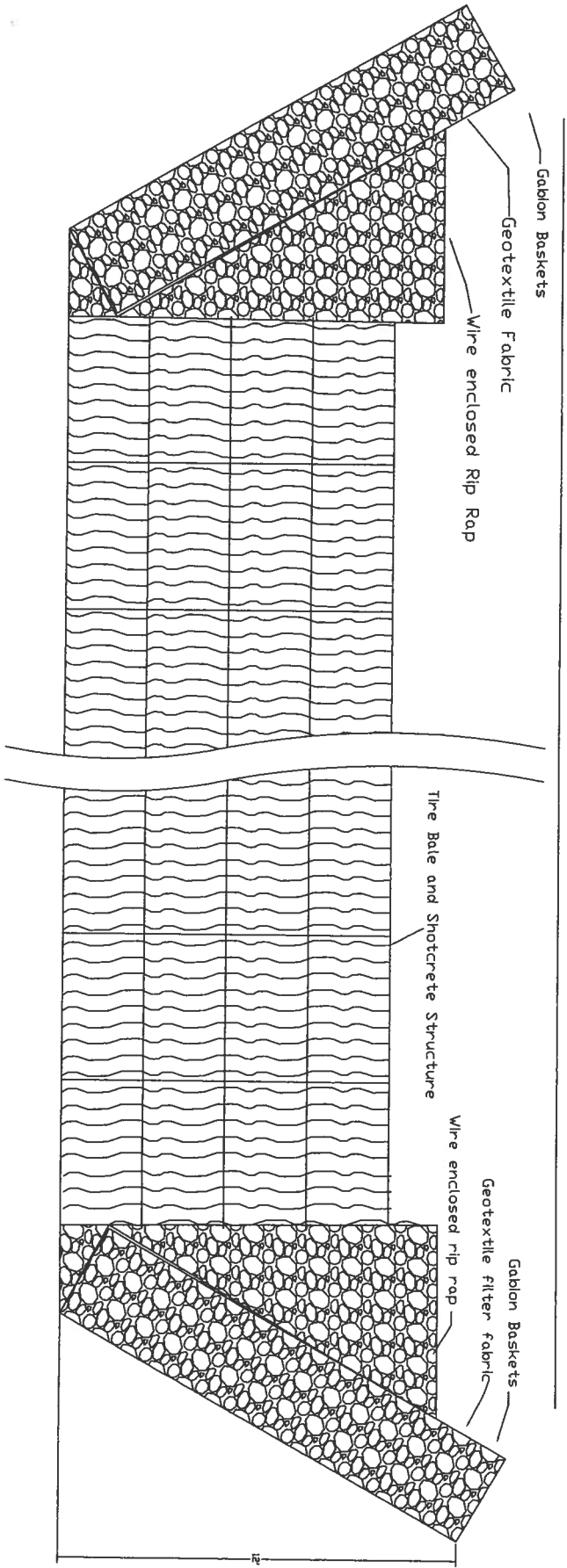


Structure 2

Typical Section for Tire Bales Covered with Shotcrete

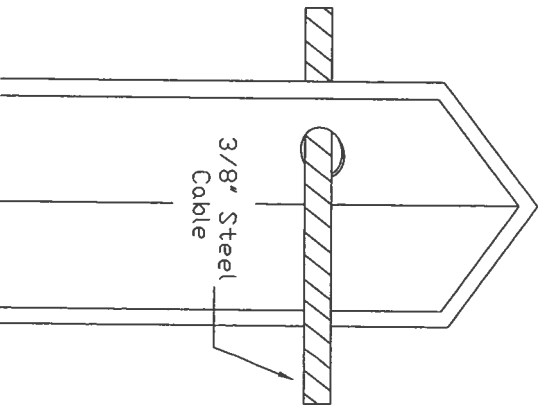
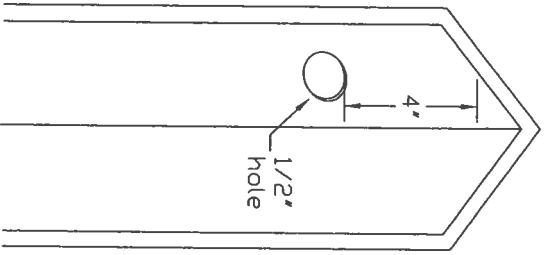
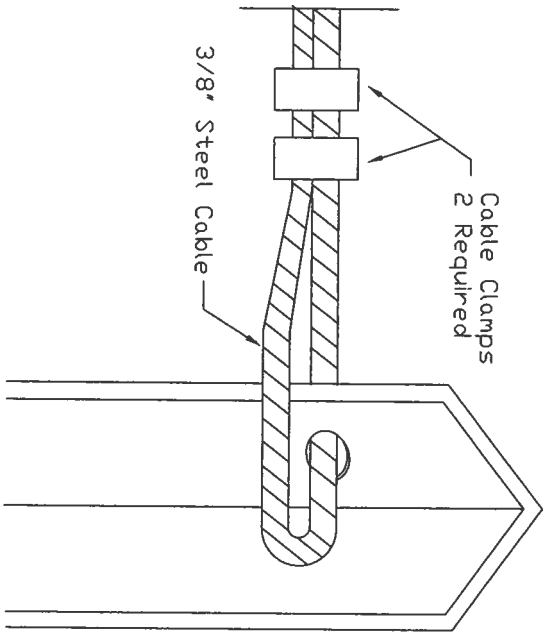
425' Run

Santa Fe County Rd 101B



Plan View Tire Bale and Shotcrete Structure

Shotcrete and Gabion Wire not shown for clarity



Anchorage Details

(4"x4"x3/8" Steel angles Shown)



To see all the details that are visible on the screen, use the "Print" link next to the map.

