

Chemigation Check Valve

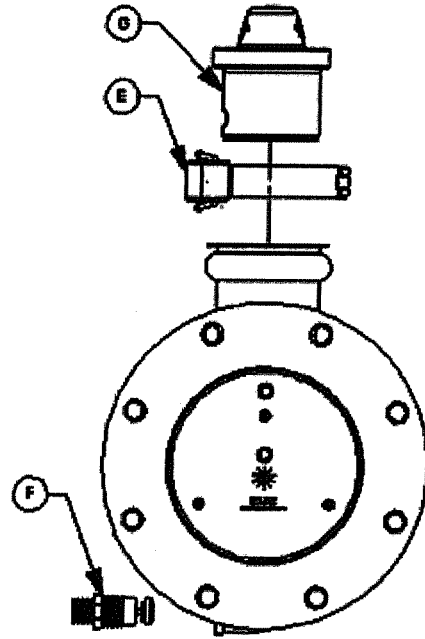
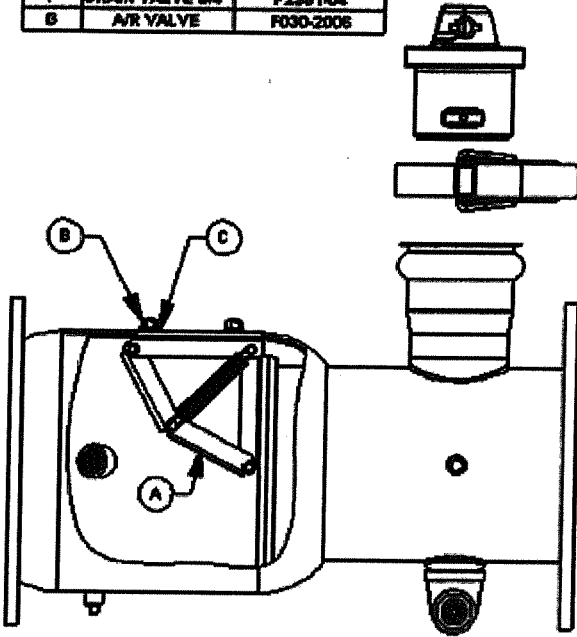
Vacuum Relief Valve

Inspection Port

Check Valve

Low Pressure Drain

A	DISK ASM 6"	P1751-02
B	NUT (2)	F2091-05
C	SEAL WASHER (2)	F2043-03
E	4" R/L CLAMP	F2123-08
F	DRAIN VALVE 3/4"	F2261-04
G	A/R VALVE	F030-2006



VALVE CHEM BODY W/PORT 8 IN P1778-22	UNLESS OTHERWISE SPECIFIED ALL DIMENSIONS ARE IN INCHES DIMENSIONS IN PARENTHESES ARE IN MILLIMETERS	DWG BY: DPE SCALE: 1:1	DATE: 2/24/10 SHEET 1 OF 1
	MATERIAL: SEE BOM		

PIERCE FITTINGS  
 P.O. BOX 2280, BIRMINGHAM, AL 35202  
 PISO MECHANICAL DEPT 111, P.O. BOX 438, CKB